

FD111 HZ EPON ONT



INTRODUCTION:

FD111HZ EPON ONT is one of the EPON optical network unit design to meet the requirement of the broadband access network. It apply in FTTH/FTTO to provide the data and video service based on the EPON network.

FD111HZ is based on ZTE high-performance xPON access chip. The chip supposes three mode: EPON/EPON/P2P, comply with the EPON standard of g.984, g.983,802.3-2005, CTC EPON equipment technical requirements, have good Xpon interoperability compatibility.

FD111HZ provide one GE auto-adapting Ethernet ports. The FD111HZ features high-performance forwarding capabilities to ensure excellent experience with Internet and HD video services. Therefore, the FD111HZ provides a perfect terminal solution and future-oriented service supporting capabilities for FTTH deployment. It has good third-party compatibility to work with the third party OLT, such as Huawei/ZTE/Fiberhome/Alcatel-Lucen.

Feature:

- Full compatible with IEEE802.3ah
- Support port-based rate limitation and bandwidth control
- In compliant with IEEE802.3ah Standard
- Up to 20KM transmission Distance
- Support data encryption, group broadcasting, port Vlan separation, etc.
- Support Dynamic Bandwidth Allocation (DBA)

Head Office: A-129/2, Nirankari Colony, Delhi-9(INDIA)

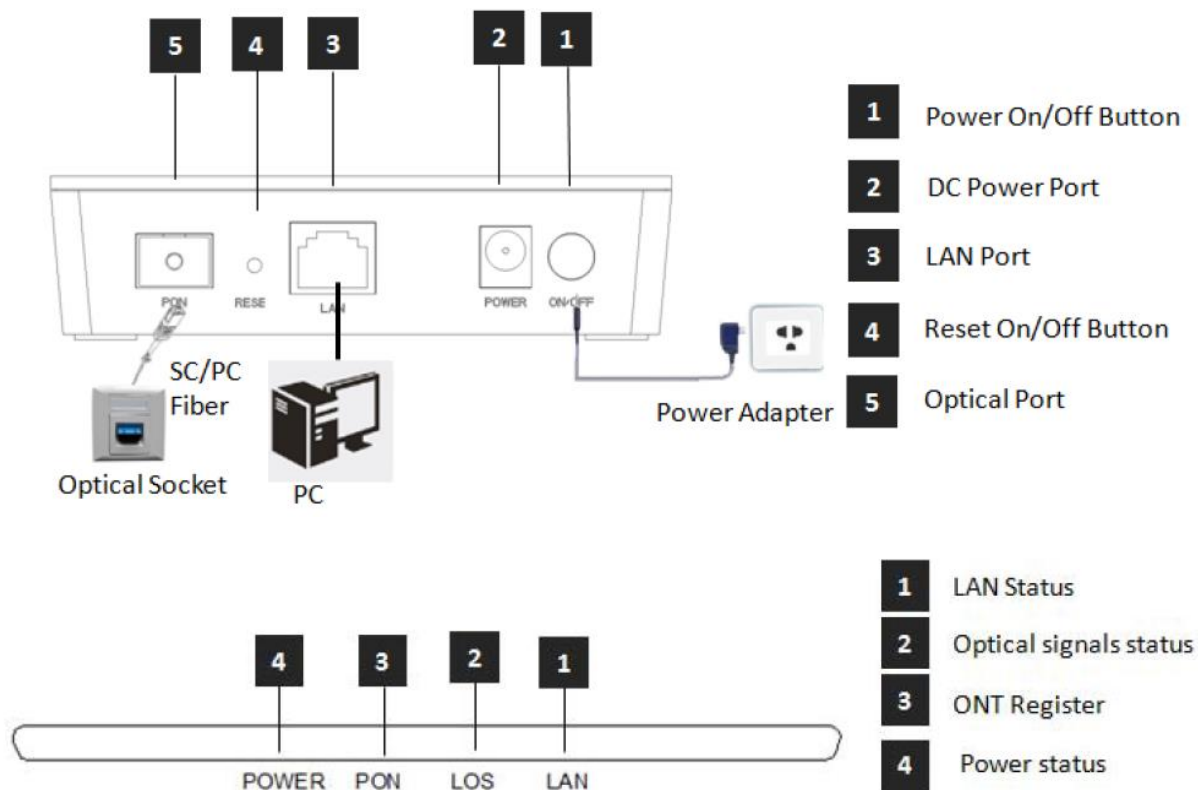
Phone: +91-11-27604633, 27603010

Email: sales@optronix.in

Web: www.optronix.in

- Support ONU auto-discovery/Link detection/remote upgrade of software;
- Support VLAN division and user separation to avoid broadcast storm;
- Support power-off alarm function, easy for link problem detection
- Support broadcasting storm resistance function
- Support port isolation between different ports
- Support three-layer routing functions
- Support ACL and SNMP to configure data packet filter flexibly
- Specialized design for system breakdown prevention to maintain stable system
- Support software online upgrading
- EMS network management based on SNMP, convenient for maintenance

Product Interface & LED Definitions:



Head Office: A-129/2, Nirankari Colony, Delhi-9(INDIA)

Phone: +91-11-27604633, 27603010

Email: sales@optronix.in

Web: www.optronix.in

Technical Specification:

ITEM	PARAMETERS	SPECIFICATION
Interface	PON PORT	EPON optical interface Meet 1000BASE-PX20+ standard Symmetric 1.25Gbps upstream/downstream SC single-mode fiber split ratio: 1:64 Transmission distance 20KM
	ETHERNET PORT	1*GE Auto-negotiation RJ45 ports Full Duplex / Half-Duplex RJ45, Auto- MDI/MDI-X Transmission Distance 100 Meter
	POWER SUPPLY PORT	12V DC input
Management	Network Management	Support IEEE802.3 QAM, ONU can be remotely managed by OLT Support Remote management through SNMP and Telnet Local management
	Management Function	Status monitor, Configuration management, Alarm management, Log management
Environmental Specifications	Shell	Plastic casing
	Power	External 12V 0.5A AC/DC power supply adapter Power consumption: <3W
	Dimensions	110mm(L) x70mm(W) x30mm (H) 0.1kg
	Environment	Operating Temperature : 0 ~50°C Storage Temperature : -40~85°C Operating Humidity : 10% ~90%(Non-condensing) Storage Humidity : 5%~ 95%(Non-condensing)

Head Office: A-129/2, Nirankari Colony, Delhi-9(INDIA)

Phone: +91-11-27604633, 27603010

Email: sales@optronix.in

Web: www.optronix.in

Application

- Solution : FTTH
- Business : Broadband Internet、IPTV、VOD、IP Camera

Network Construction:



Head Office: A-129/2, Nirankari Colony, Delhi-9(INDIA)

Phone: +91-11-27604633, 27603010

Email: sales@optronix.in

Web: www.optronix.in